



# Model RW2580

## High Capacity Pan & Rack Washer



The LVO RW2580 Pan and Rack washer is fully automatic, easy to install, and economical to operate. Capable of washing 780 pans per hour, and made of a 14 gauge stainless steel cabinet, the RW2580 is designed to last a lifetime.

With eight rotating stainless steel spray arms, each with strategically positioned high velocity nozzles, the powerful 25 Horsepower pump subjects your racks, pans, bowls, or utensils to a high pressure wash. With every cycle, the RW2580 blasts away soil, followed by a sanitizing rinse, for greater cleanliness.

Brass wash hubs have acetal races with stainless steel ball bearings for years of trouble free service.



## Standard Available Racks:

### Bowl/Utensil Rack



### Cake Pan Rack

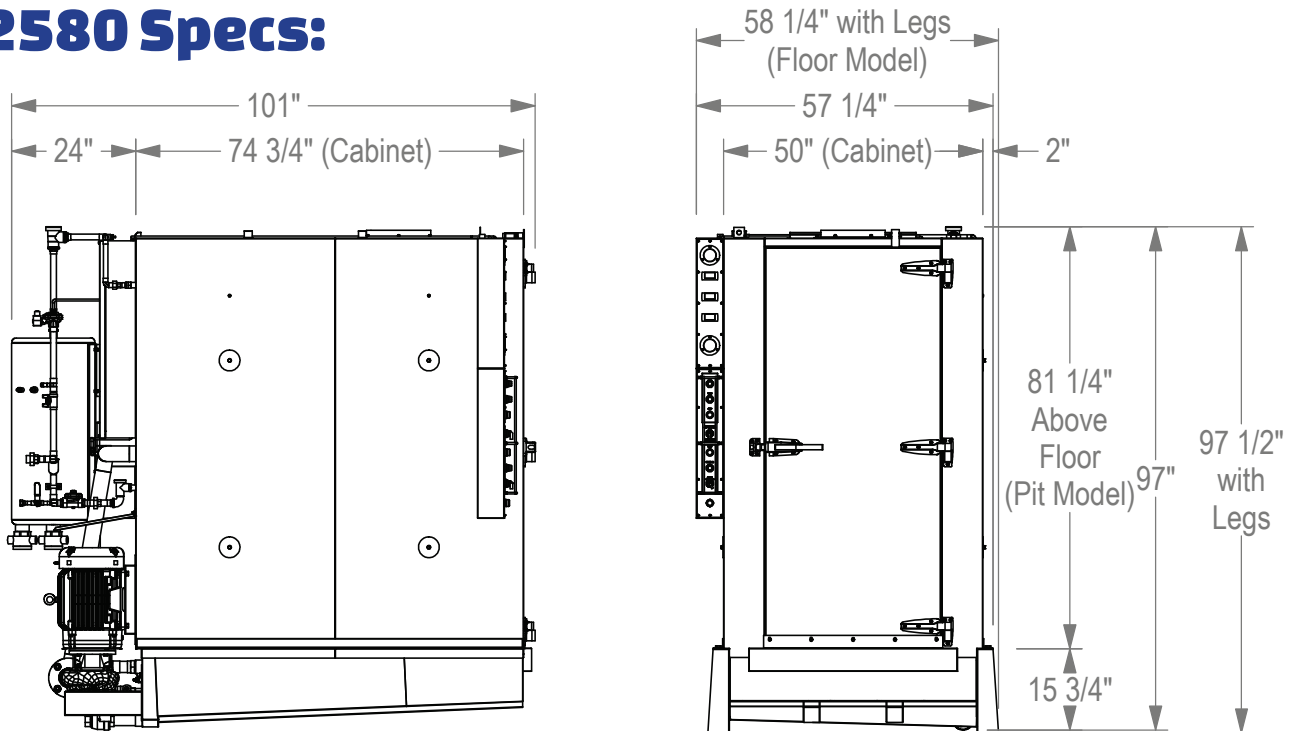


### Sheet Pan Rack



The LVO RW2580 washer is designed to hold any combination of two standard RW2580 Racks.

## RW2580 Specs:



**Wash Capacity:** 78 Sheet Pans

**Standard Voltages:** 208, 230, or 460 Volt, 3 Phase, 60 Hertz

**Wash Tank:** Electric, Gas, Steam Coil, or Injected Steam Heat

**Wash Chamber Dimensions:** 31"W x 76"H x 69 1/2"L

Left or Right Hand Controls and Hinges Available

**Agency Listings (US & Canada):** ETL (Electrical)\* and NSF (Sanitation)

\* ETL listing not available on gas heated machines

Because of continuous improvements, specifications may change without notice. Contact manufacturer for current information.



**LVO Manufacturing, Inc.**

PO Box 188 • 808 North 2nd Avenue East • Rock Rapids, Iowa 51246

(800) 346-5749 • www.lvomfg.com