



Model RW2580PT

Pass Through Pan & Rack Washer



With a 780 pan per hour wash capacity and a pass through design, the LVO RW2580PT Pan and Rack washer is easy to load and simple to operate. Built with a heavy stainless steel design, the RW2580PT is made to last a lifetime.

The RW2580PT's powerful 25 Horsepower pump drives the eight rotating wash arms, quickly cleaning your racks, pans, bowls, or utensils with a high pressure spray. With every cycle, the RW2580PT is able to clean and sanitize your pans in a matter of minutes.

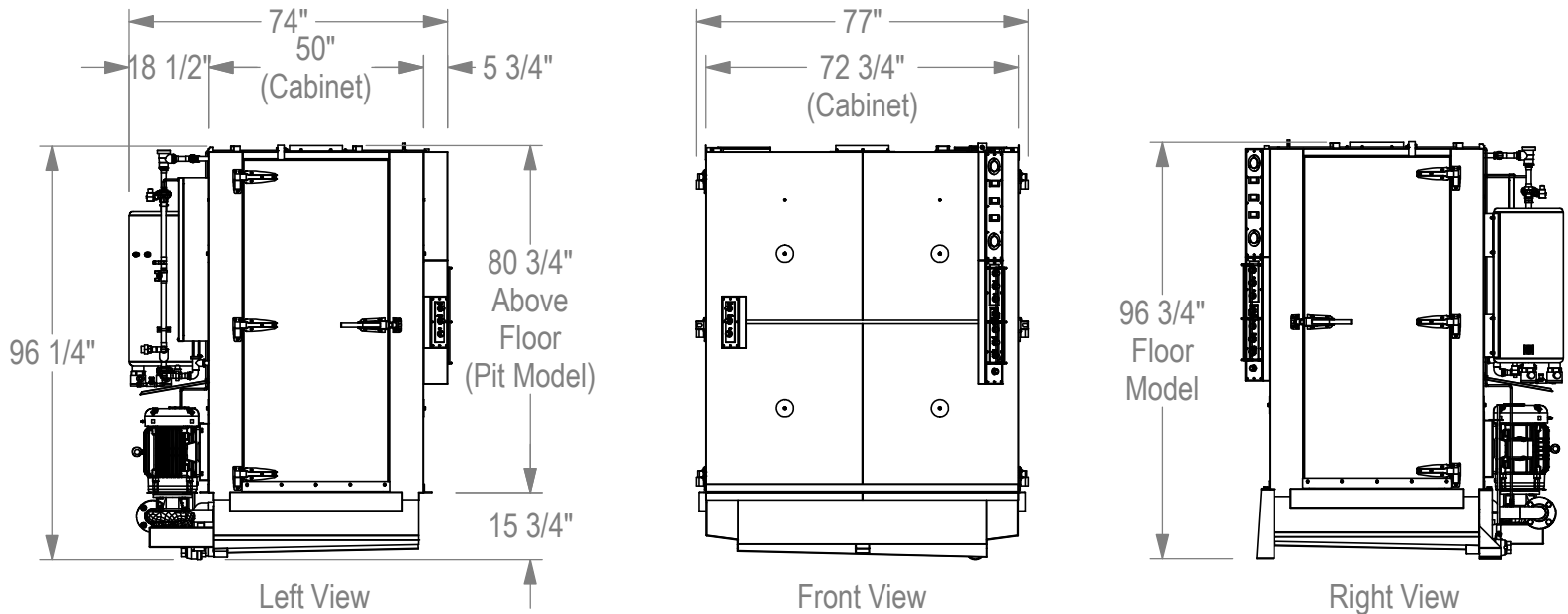


Standard Available Racks:



The LVO RW2580PT washer is designed to hold any combination of two standard RW2580PT Racks.

RW2580PT Specs:



Wash Capacity: 78 Sheet Pans

Standard Voltages: 208, 230, or 460 Volt, 3 Phase, 60 Hertz

Wash Tank: Electric, Gas, Steam Coil, or Injected Steam Heat

Wash Chamber Dimensions: 31"W x 76"H x 64 1/2"L

Left to Right or Right to Left Controls Available

Agency Listing (US & Canada): ETL*

* ETL listing not available on gas heated machines

Because of continuous improvements, specifications may change without notice. Contact manufacturer for current information.



LVO Manufacturing, Inc.

PO Box 188 • 808 North 2nd Avenue East • Rock Rapids, Iowa 51246

(800) 346-5749 • www.lvomfg.com