



Model RW40120PT

Pass Through Pan & Rack Washer



Our largest washer, the LVO RW40120PT Pan and Rack washer is capable of washing almost 1200 pans per hour. Fully automatic, easy to operate, the RW40120PT is made of a 14 gauge stainless steel cabinet and designed to last a lifetime.

Two powerful pumps with a combined total of 40 Horsepower power the twelve rotating stainless steel spray arms, blasting away soil from your racks, pans, bowls, or utensils. Then a short, hot water rinse then allows your pans to be clean and sanitized in a matter of minutes.

Standard Available Racks:

Sheet Pan Rack



Cake Pan Rack

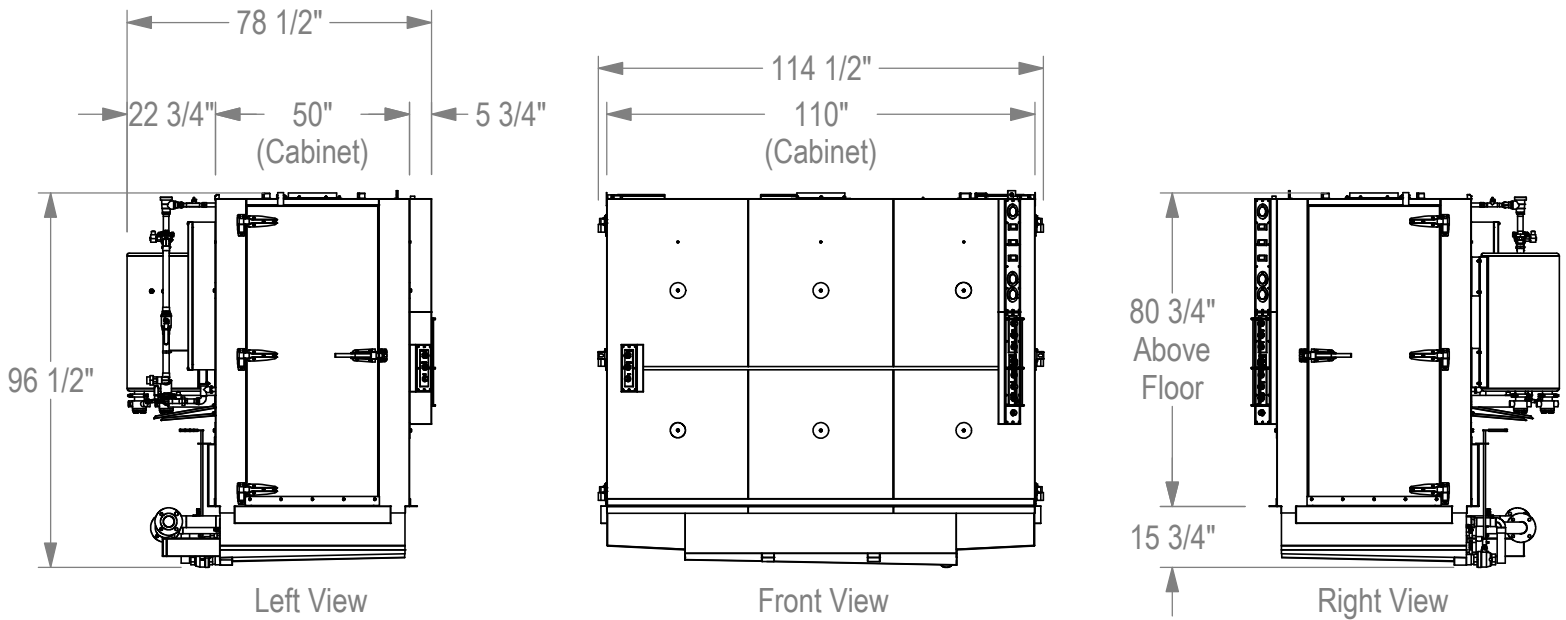


Bowl/Utensil Rack



The LVO RW40120PT washer is designed to hold any combination of three standard RW40120PT Racks.

RW40120PT Specs:



Wash Capacity: 117 Sheet Pans

Standard Voltages: 208, 230, or 460 Volt, 3 Phase, 60 Hertz

Wash Tank: Electric, Gas, Steam Coil, or Injected Steam Heat

Wash Chamber Dimensions: 31"W x 76"H x 101 3/4"L

Left to Right or Right to Left Controls Available

Because of continuous improvements, specifications may change without notice. Contact manufacturer for current information.



LVO Manufacturing, Inc.

PO Box 188 • 808 North 2nd Avenue East • Rock Rapids, Iowa 51246

(800) 346-5749 • www.lvomfg.com

Mar '16